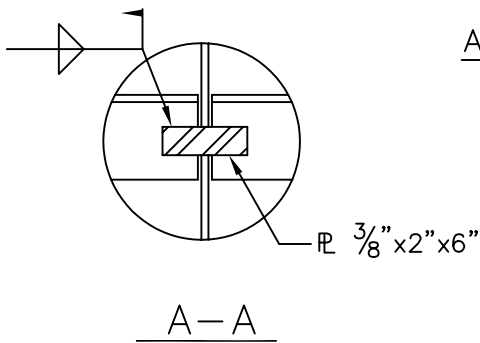
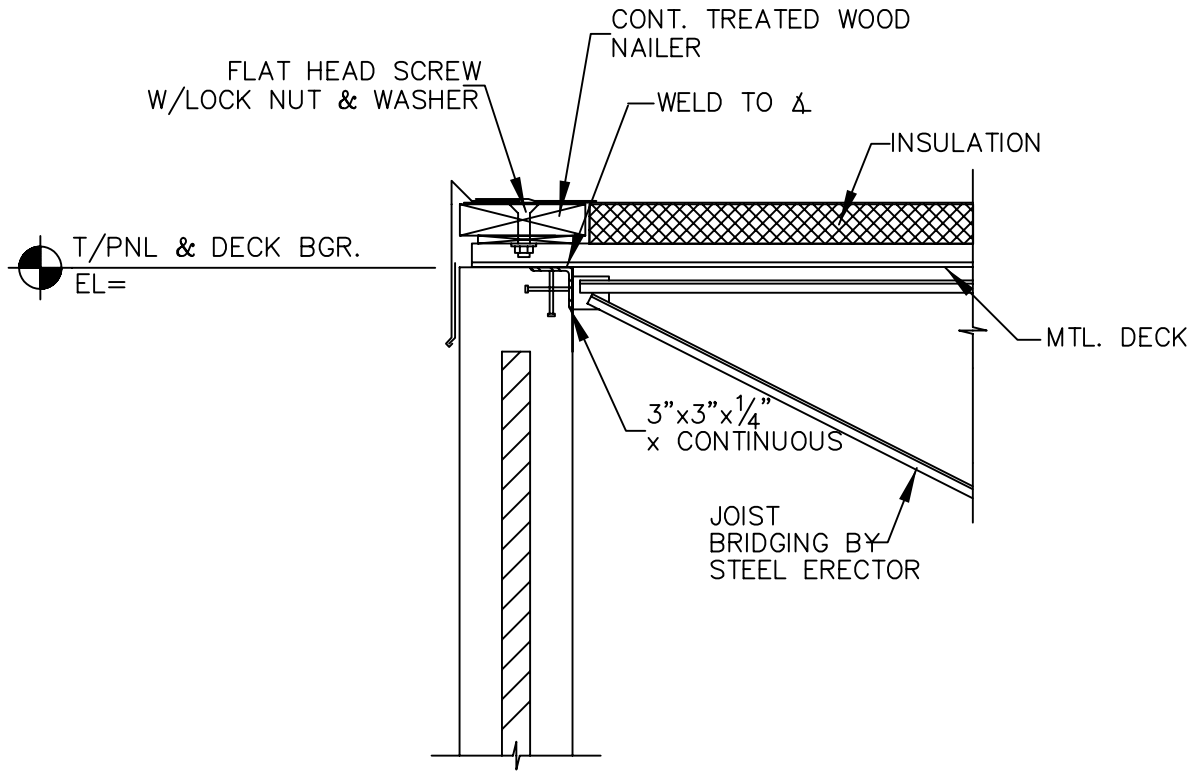
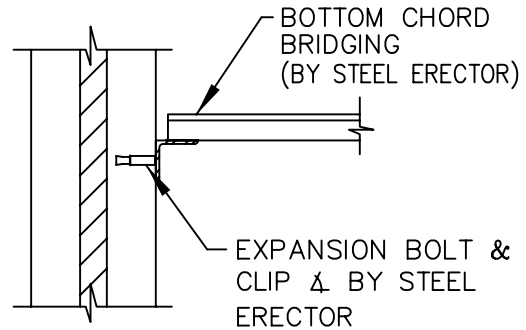


DECK BEARING CONN.

NOTE:



ALTERNATE:



REVISIONS:

DATE:

APPROVED FOR PRODUCTION:

FILE NAME:

DR:

DATE:

DPR-2

CK:

JOB NO.: