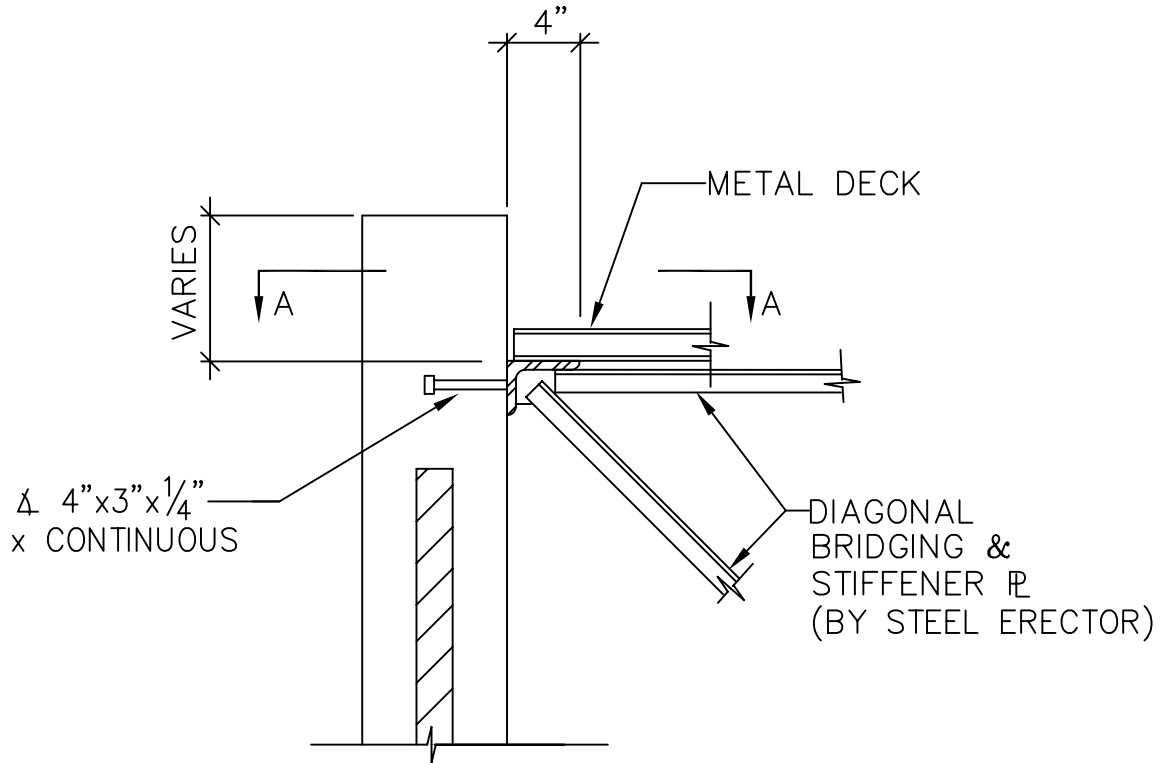
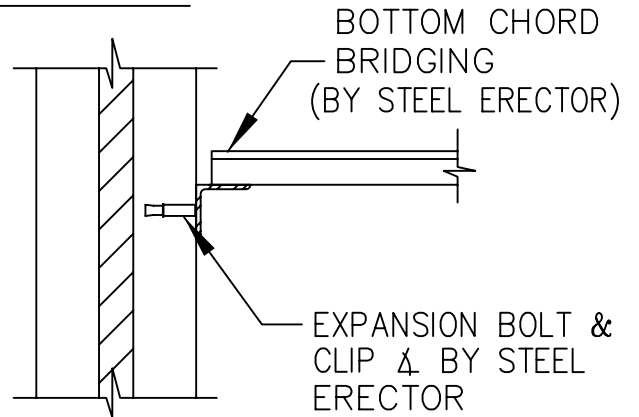
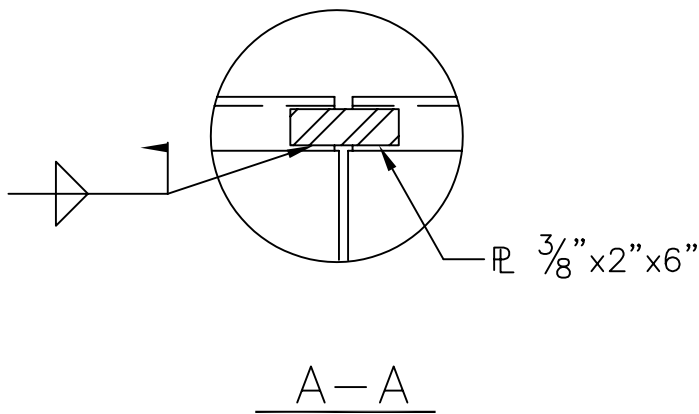


DECK BEARING CONN.

NOTE:



ALTERNATE:



REVISIONS:	DATE:	APPROVED FOR PRODUCTION:	FILE NAME: DPR-5
	DR:	DATE:	
	CK:	JOB NO.:	