

## JOIST BEARING CONN.

NOTE:

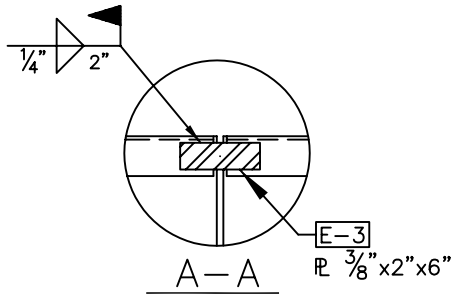
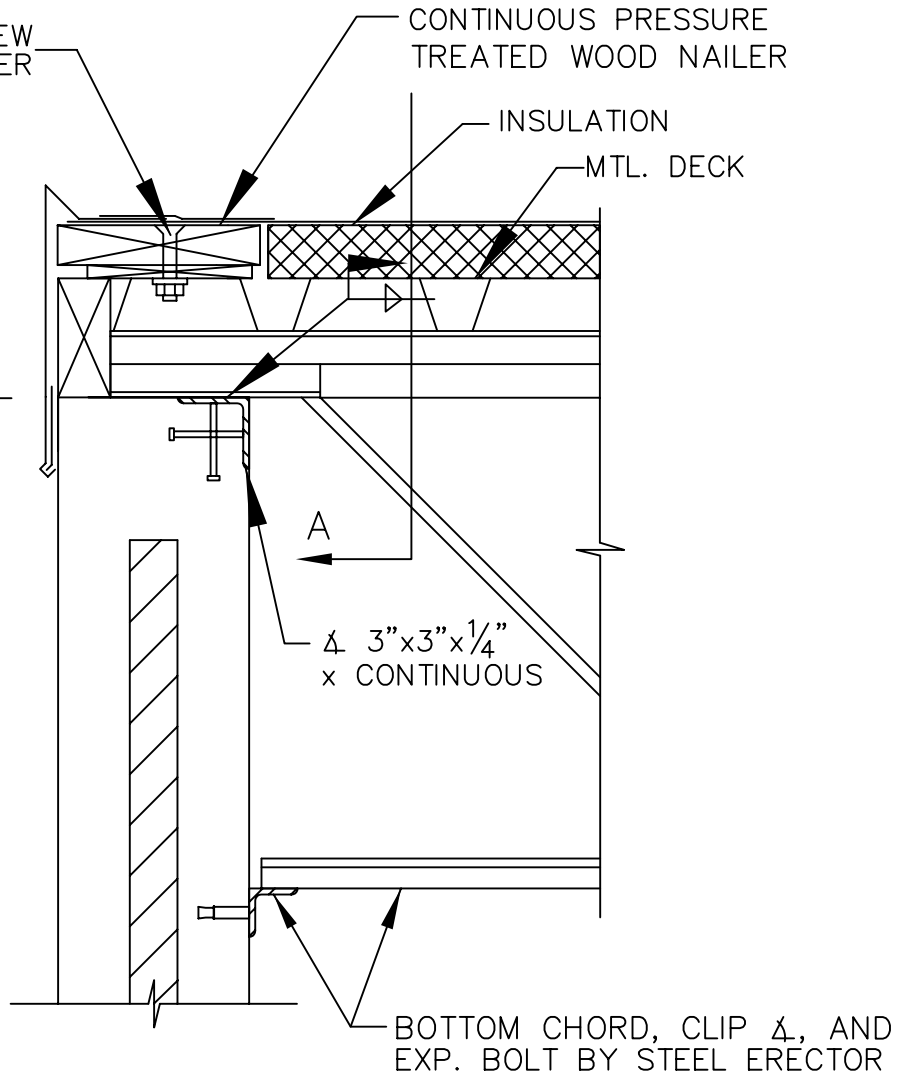
FLAT HEAD SCREW  
W/LOCK NUT & WASHER

CONTINUOUS PRESSURE  
TREATED WOOD NAILER

INSULATION

MTL. DECK

T/PNL & JOIST BRG.  
EL=



REVISIONS:

DATE:

APPROVED FOR PRODUCTION:

FILE NAME:

DR:

DATE:

**DPR-1**

CK:

JOB NO.: