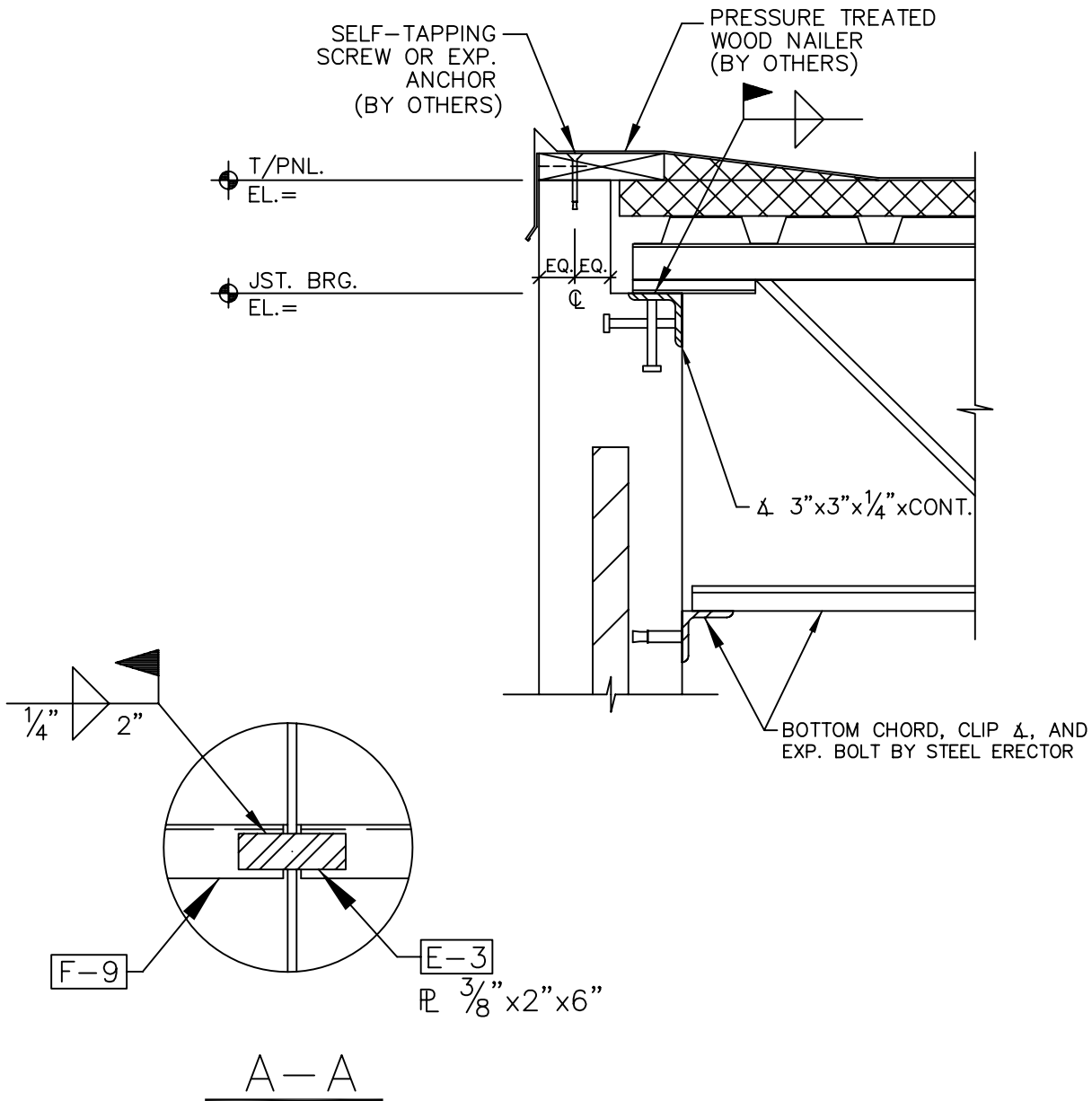


JOIST BEARING CONN.

NOTE:



REVISIONS:

DATE:

APPROVED FOR PRODUCTION:

FILE NAME:

DR:

DATE:

DPR-7

CK:

JOB NO.: