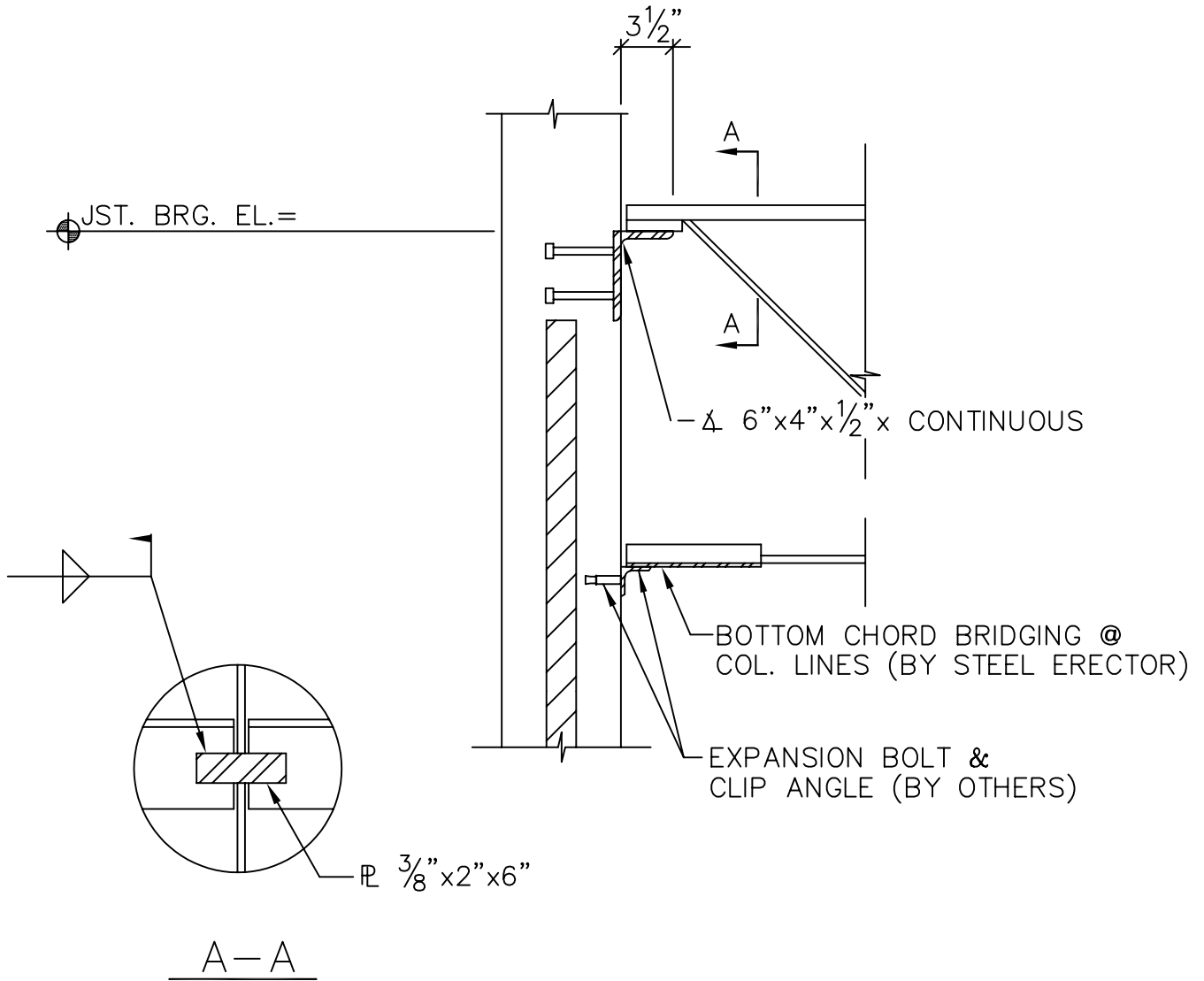


JOIST BEARING CONN.  
@ PARAPET

NOTE:



REVISIONS:	DATE:	APPROVED FOR PRODUCTION:	FILE NAME: <b>DPR-3</b>
	DR:	DATE:	
	CK:	JOB NO.:	