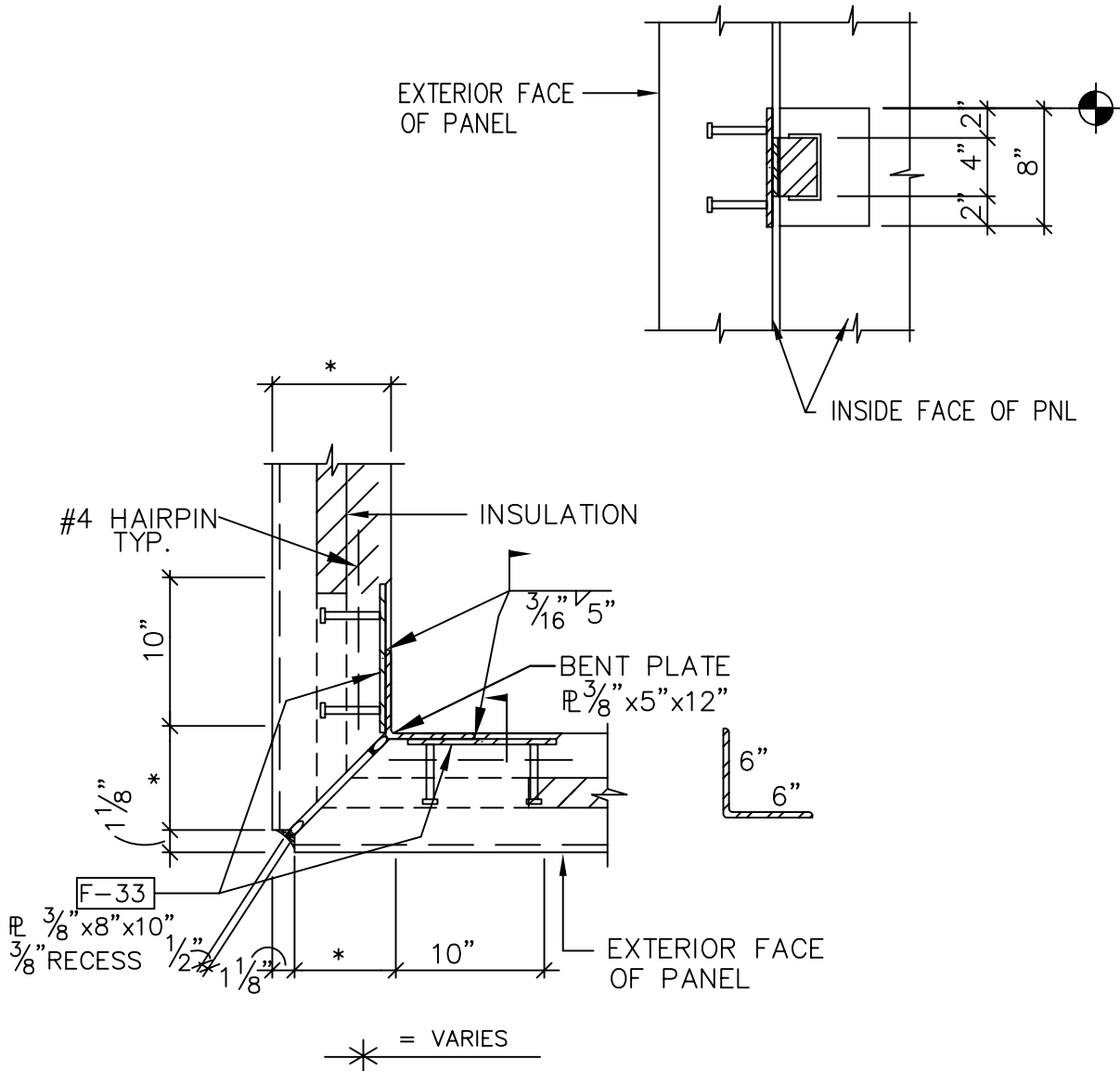


## MITERED CORNER CONN.

NOTE:



REVISIONS:	DATE:	APPROVED FOR PRODUCTION:	FILE NAME: <b>DPP-6</b>
	DR:	DATE:	
	CK:	JOB NO.:	