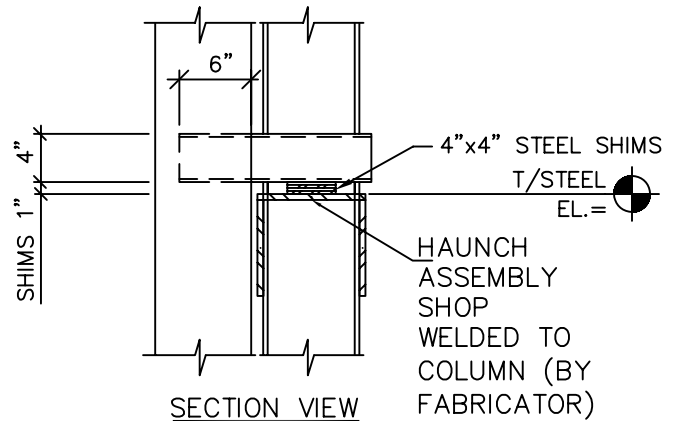
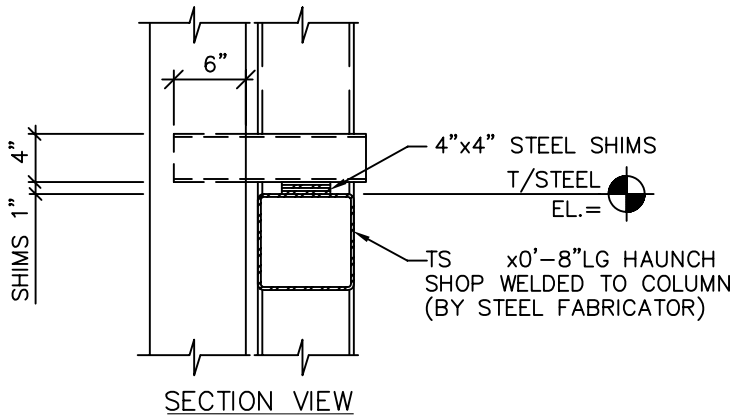
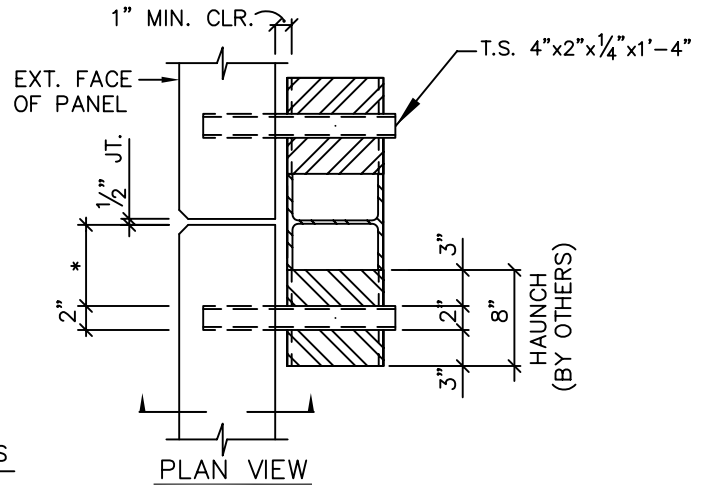
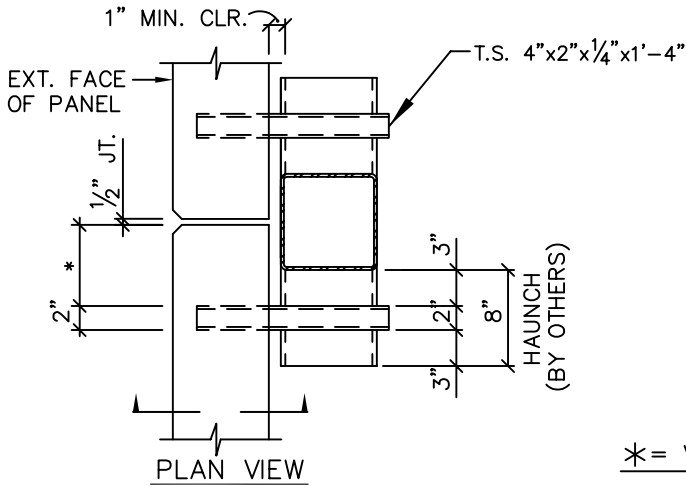


SPANDREL PANEL BEARING CONNECTION AT COLUMN

NOTE:



REVISIONS:

DATE:

APPROVED FOR PRODUCTION:

FILE NAME:

DR:

DATE:

DPC-2

CK:

JOB NO.: