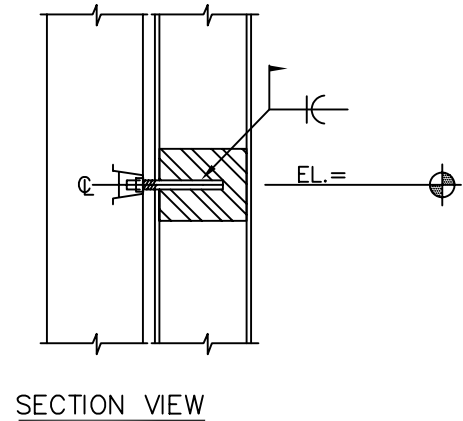
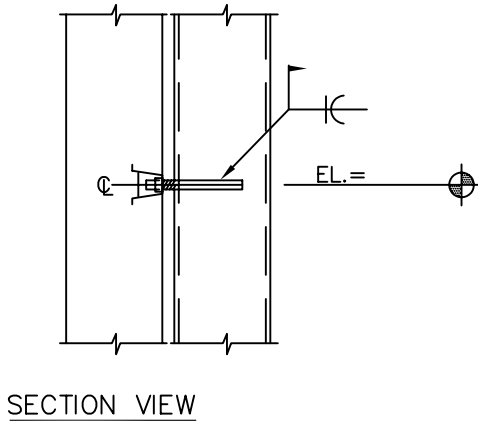
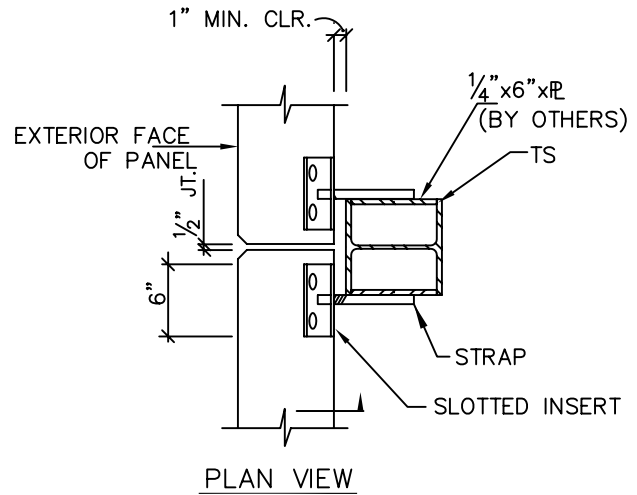
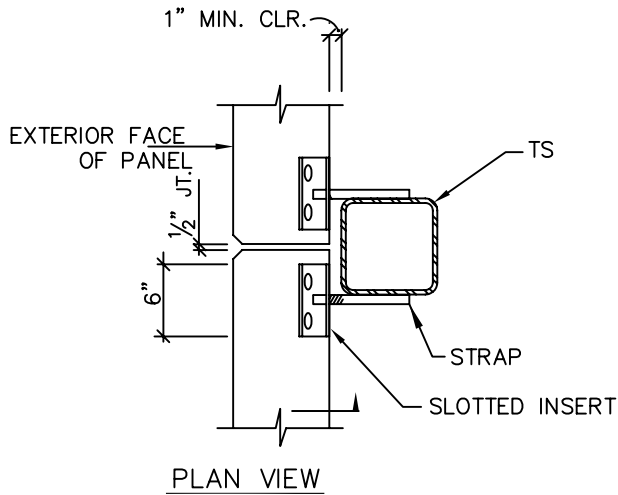


SPANDREL PANEL TIE-BACK CONNECTION TO COLUMN

NOTE:



REVISIONS:

DATE:

APPROVED FOR PRODUCTION:

FILE NAME:

DR:

DATE:

DPC-1

CK:

JOB NO.: