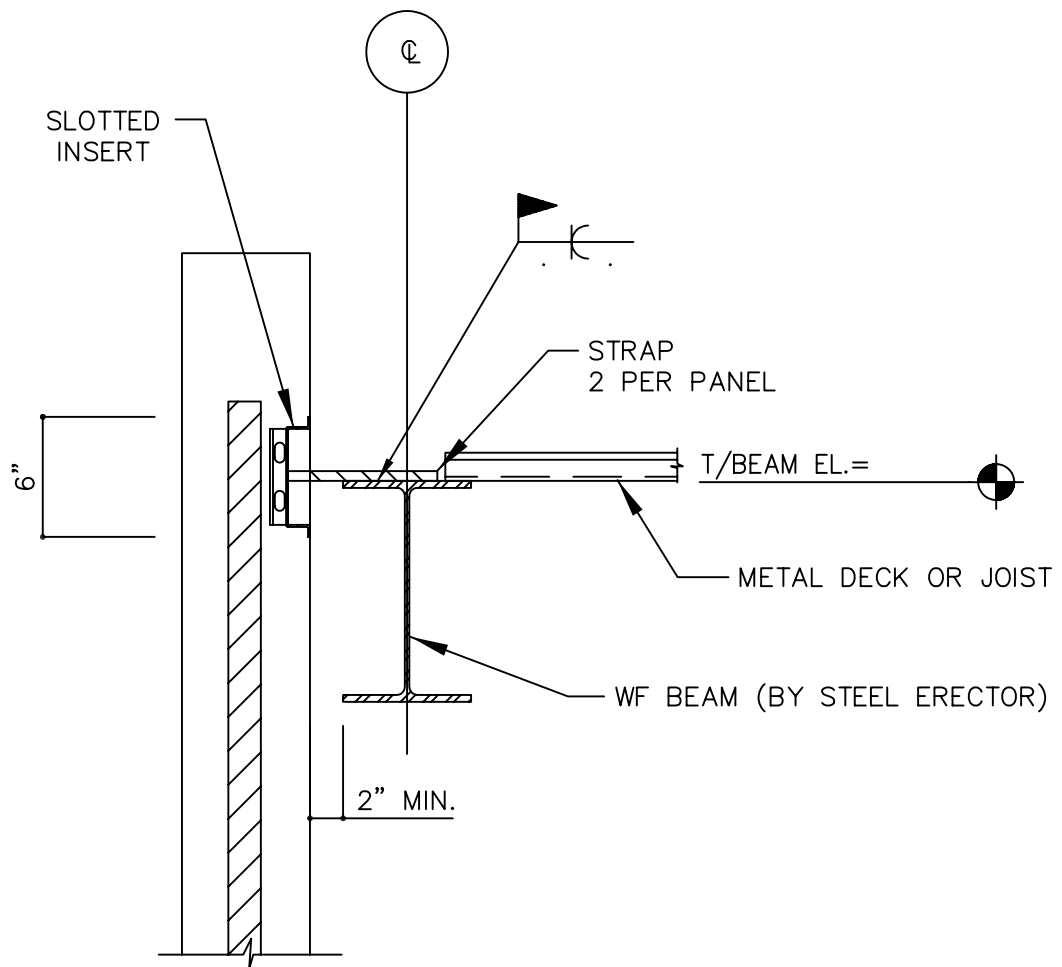


TOP TIE - BACK CONN.

NOTE:



REVISIONS:

DATE:

APPROVED FOR PRODUCTION:

FILE NAME:

DR:

DATE:

DPR-6

CK:

JOB NO.: