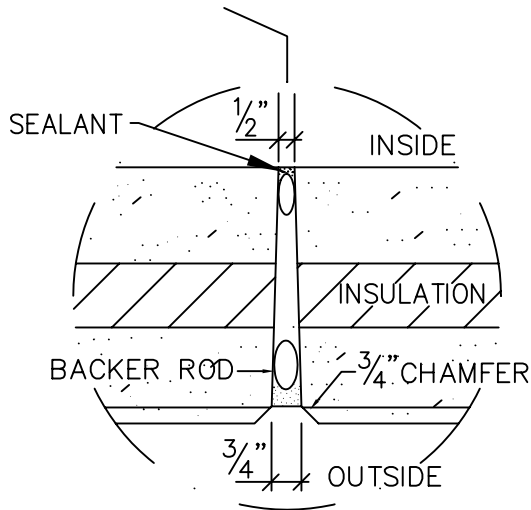
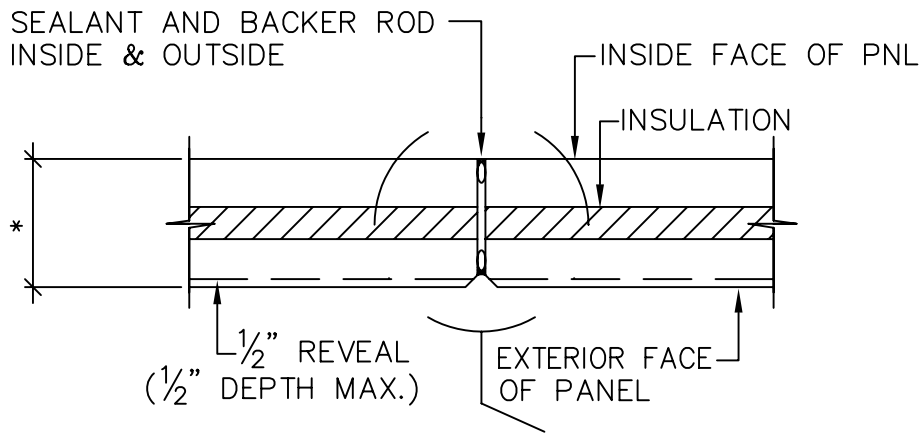


TYP. VERTICAL
PANEL JOINT

NOTE:



REVISIONS:

DATE:

APPROVED FOR PRODUCTION:

FILE NAME:

DR:

DATE:

DPP-1

CK:

JOB NO.: