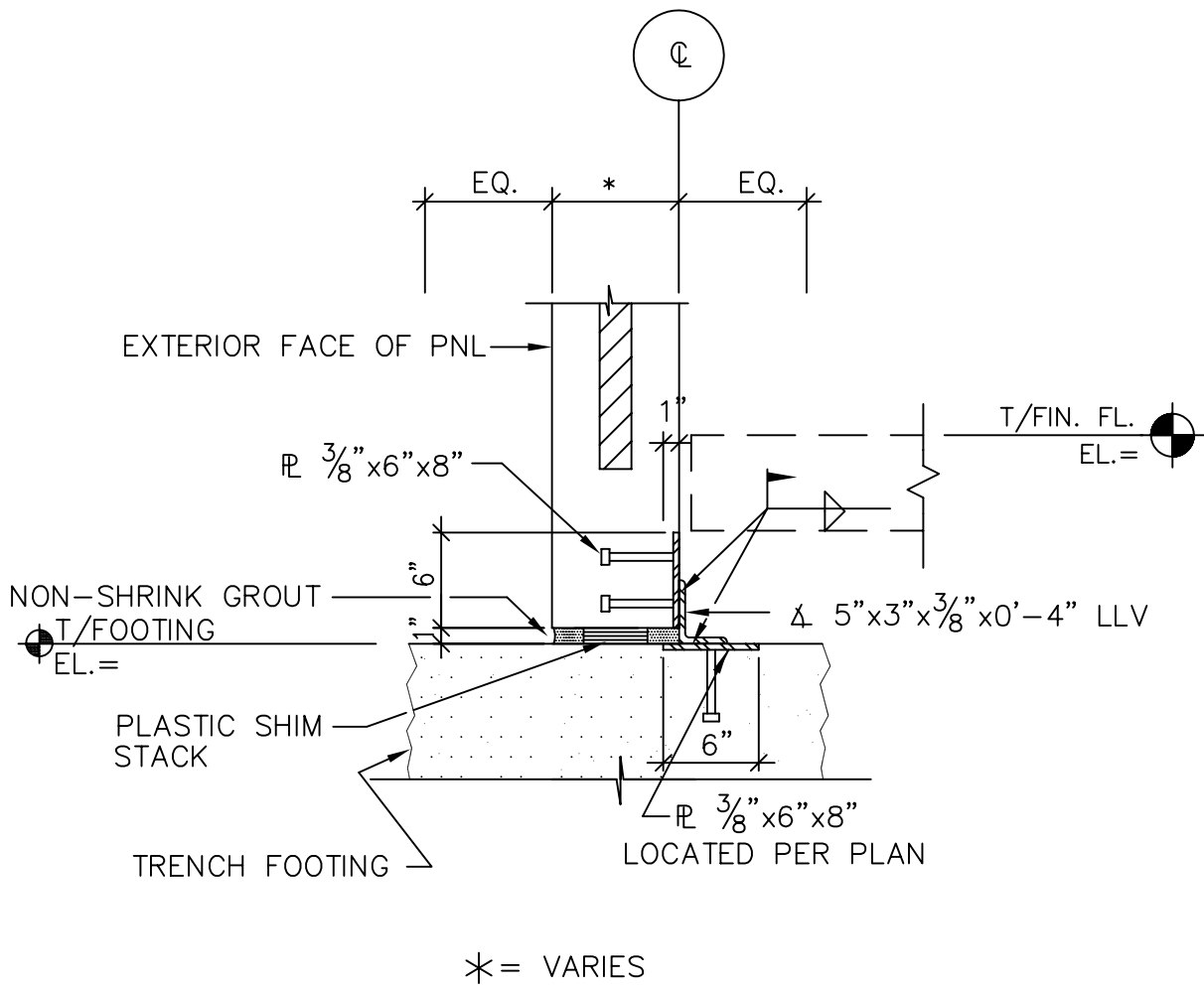


WALL PANEL
BASE CONNECTION
@ TRENCH CONNECTION

NOTE:



REVISIONS:	DATE:	APPROVED FOR PRODUCTION:	FILE NAME: DPF-7
	DR:	DATE:	
	CK:	JOB NO.:	